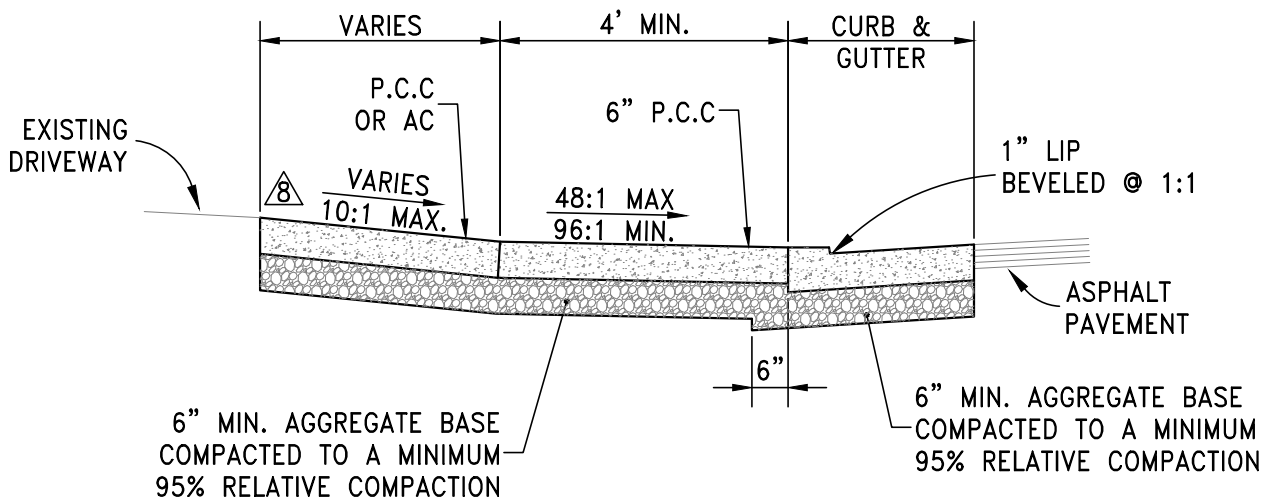


PLAN



SECTION A-A



STANDARD DETAILS FOR PUBLIC WORKS CONSTRUCTION

DRAWING No.

**P.C.C. DRIVEWAY APRON**

**R-114A**

APPROVED BY: KK

DATE: 2/2026